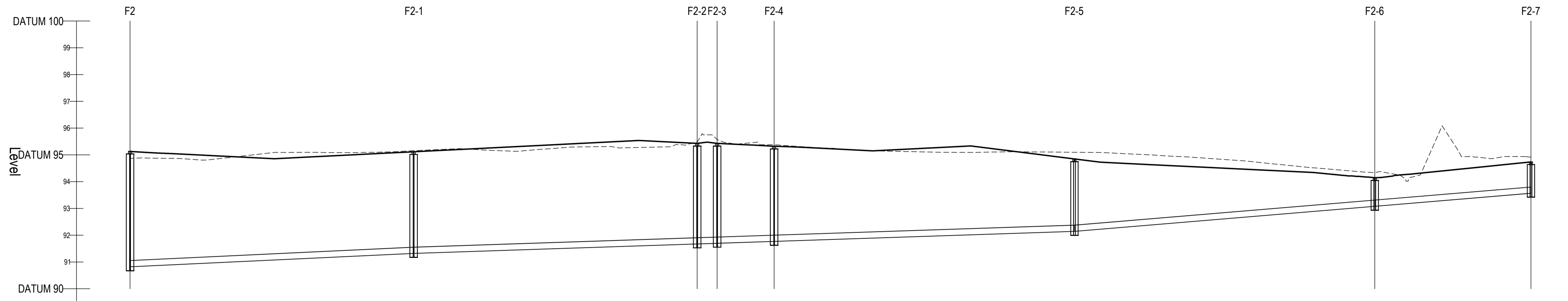
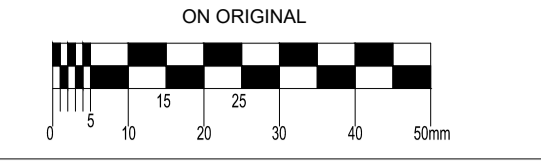


SCALE: H 1:500, V 1:100. DATUM: 90.000



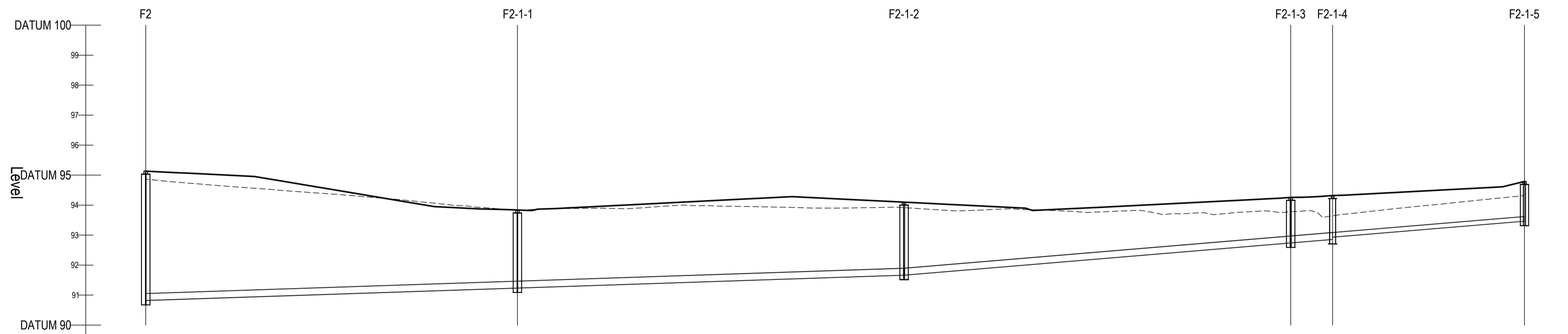
COVER LEVEL	95.133		95.116		95.429 91.677 91.701 95.429	95.321		94.849		94.148		94.737
INVERT LEVEL	90.824	91.323 91.323	95.116		91.677 91.701 91.701	91.772 91.772		92.147 92.147		93.083 93.083		93.570
DEPTH (m)	4.310	3.793			3.753 3.728	3.548		2.702		1.065		1.167
DISTANCE (m)		53.02		53.02	3.73	10.65		56.16		56.16		29.21
PIPE SLOPE		1:106		1:150	1:150	1:150		1:150		1:60		1:60
PIPE SIZE		225mm		225mm	225mm	225mm		225mm		225mm		225mm



ON ORIGINAL
 © COPYRIGHT OF THIS DRAWING IS RESERVED BY DBFL CONSULTING ENGINEERS. NO PART SHALL BE REPRODUCED OR TRANSMITTED WITHOUT THEIR WRITTEN PERMISSION.
 NO CHANGES OF WHATSOEVER NATURE ARE TO BE MADE TO ANY DETAILS SET OUT OR CONTAINED IN ANY DBFL SPECIFICATIONS OR DRAWINGS UNLESS THE EXPRESS CONSENT HAS BEEN OBTAINED IN ADVANCE, IN WRITING, FROM DBFL.

- NOTES:
1. ALL DRAWINGS TO BE CHECKED BY CONTRACTOR ON SITE AND ENGINEER INFORMED OF DISCREPANCIES BEFORE WORK COMMENCES
 2. ALL LEVELS ARE IN METRES AND ARE RELATED TO ORDNANCE DATUM
 3. CONTRACTOR SHALL SATISFY HIMSELF AS TO THE ACCURACY OF PAVEMENT LEVELS ON SITE PRIOR TO COMMENCEMENT OF WORKS ON SITE
 4. ALL WORKS TO BE CONSTRUCTED IN ACCORDANCE WITH THE NRA SPECIFICATION FOR ROAD WORKS UNLESS NOTED OTHERWISE
 5. THIS DRAWING IS FOR PLANNING PURPOSES ONLY
 6. MANHOLE COVER LEVELS ARE TO CONFORM WITH FINISHED ROAD AND PATH LEVELS
 7. WHERE COVER TO PIPE IS LESS THAN 100mm (ROAD/PATH/VERGE) OR 900mm (OPEN SPACE) SURROUND PIPE IN MINIMUM 150mm CONCRETE

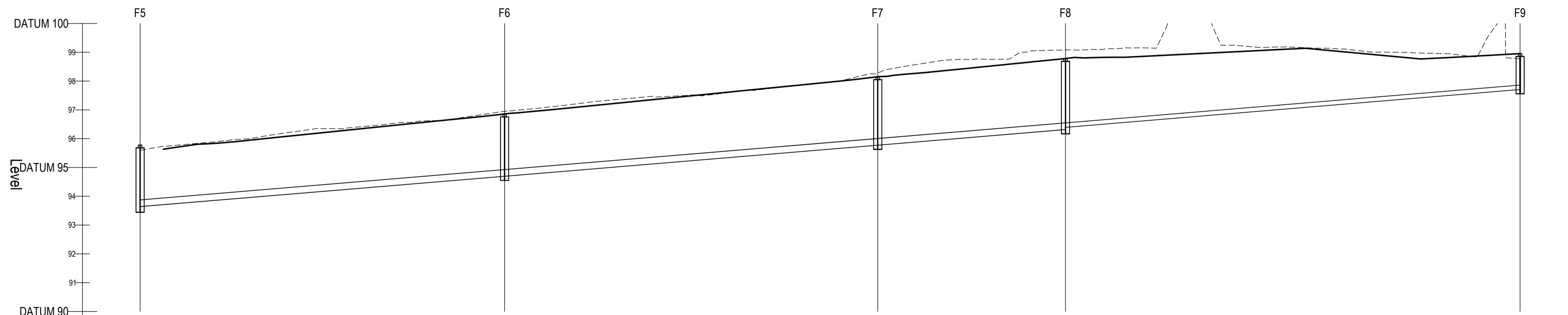
SCALE: H 1:500, V 1:100. DATUM: 90.000



COVER LEVEL	95.133		93.837		94.059		94.258		94.320		94.788
INVERT LEVEL	90.824	91.237 91.237	93.837		91.667 91.667		92.742 92.742	92.859 92.859	94.320		93.467
DEPTH (m)	4.310	2.600			2.432		1.516	1.461			1.321
DISTANCE (m)		62.00		64.50		64.50		7.00	32.00		
PIPE SLOPE		1:150		1:150		1:60		1:60	1:60		
PIPE SIZE		225mm		225mm		225mm		225mm	150mm		

KEY
 - - - - - EXISTING GROUND PROFILE
 _____ PROPOSED GROUND PROFILE

SCALE: H 1:500, V 1:100. DATUM: 90.000



COVER LEVEL	95.778		96.856		96.149		96.782		96.953
INVERT LEVEL	93.644	94.698 94.698	96.856		95.777 95.777		95.320 95.320		97.709
DEPTH (m)	2.133	2.158			2.372		2.462		1.244
DISTANCE (m)		63.25		64.75		32.58		78.89	
PIPE SLOPE		1:60		1:60		1:60		1:60	
PIPE SIZE		225mm		225mm		225mm		150mm	

P01	13/06/22	STAGE 3 SHD	PJC	NGC
rev	date	description	by	chkd.
client approval		A - Approved		
		B - Approved with comments		
		C - Do not use		
suitability		issue purpose		
S2 - INFORMATION		PLANNING		

DBFL Consulting Engineers
 Civil, Structural & Transportation Engineering
 www.dbfl.ie

DUBLIN OFFICE: Ormond House, Upper Ormond Quay, Dublin 7, D07 W704
 PHONE +353 1 450 4000

CORK OFFICE: 14 South Mall, Cork, T12 CT91
 PHONE +353 21 2624538

WATERFORD OFFICE: Suite 10 The Arkun, Maritime Gate, Canada Street, Waterford, X91 WC28
 PHONE +353 51 309 500

project ref.
NEWCASTLE SOUTH

drawing title
FOUL SEWER LONGITUDINAL SECTIONS SHEET 2

client
CAIRN HOMES PROPERTIES LTD

designed by
 NCG

author
 PJC

scale
 H: 1:500 V: 1:100

sheet size
 A1

drawing no.
210026-DBFL-CS-SP-DR-C-3206

revision
P01